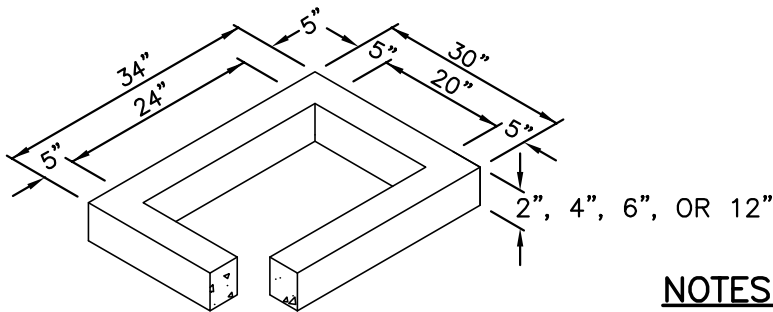
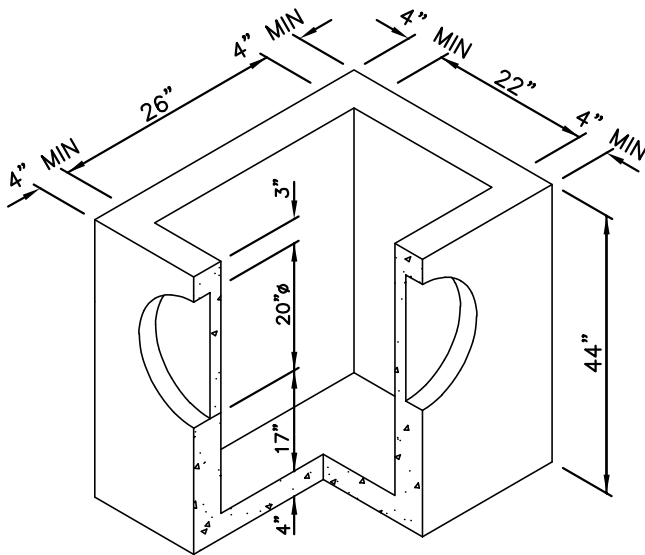


SEE APPLICABLE STANDARD DETAILS
FRAME AND GRATE

PIPE ALLOWANCES	
PIPE MATERIAL	MAXIMUM INSIDE DIAMETER
REINFORCED OR PLAIN CONCRETE	12"
ALL METAL PIPE	15"
SOLID WALL PVC (WSDOT STD SPEC 9-05.12.(1))	15"
PROFILE WALL PVC (WSDOT STD SPEC 9-05.12.(2))	15"



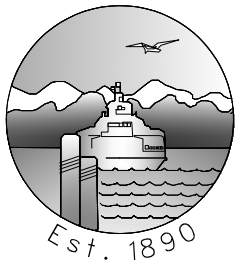
RISER SECTION



(MEASUREMENT AT THE TOP OF THE BASE)
PRECAST BASE SECTION

NOTES:

1. CATCH BASINS SHALL BE CONSTRUCTED IN ACCORDANCE WITH WSDOT STANDARD SPECIFICATION 9-05.50(3).
2. AS AN ACCEPTABLE ALTERNATIVE TO REBAR, WELDED WIRE FABRIC HAVING A MIN. AREA OF 0.12 SQUARE INCHES PER FOOT MAY BE USED. WELDED WIRE FABRIC SHALL COMPLY TO ASTM A497 (AASHTO M 221). WIRE FABRIC SHALL NOT BE PLACED IN KNOCKOUTS.
3. APPLY NON-SHRINK GROUT TO INSIDE AND OUTSIDE OF ALL JOINTS, RINGS, RISERS AND FRAMES.
4. ROUND KNOCKOUTS MAY BE ON ALL 4 SIDES, WITH MAX DIAMETER OF 20". KNOCKOUTS MAY BE EITHER ROUND OR "D" SHAPE.
5. THE MAX DEPTH FROM THE FINISHED GRADE TO THE PIPE INVERT IS 5'-0".
6. THE TAPER ON THE SIDES OF THE PRECAST BASE SECTION AND RISER SECTION SHALL NOT EXCEED 1/2"/FT.
7. CATCH BASIN FRAME AND GRATE SHALL BE IN ACCORDANCE WITH STANDARD SPECIFICATIONS. MATING SURFACES SHALL BE FINISHED TO ASSURE NON-ROCKING FIT WITH ANY COVER POSITION.
8. VERTICAL EDGE OF RISER SHALL NOT BE MORE THAN 2" FROM VERTICAL EDGE OF CATCH BASIN WALL.



CITY OF EDMONDS
PUBLIC WORKS
DEPARTMENT

CATCH BASIN TYPE I

APPROVED BY: R. ENGLISH

REVISION DATE
SEPTEMBER 2023

STANDARD
DETAIL
SD-303